



Description

This pre-filter range is equipped with our CFT 25 or 22 mm tube to yield exceptional high pre-filter efficiency in extreme dust conditions. Even through varying flow conditions, this high efficiency is maintained due to the exceptional high turn down ratio of these tubes.

These pre-filters are manufactured from mild steel sheet metal that is powder coated inside and out. This ensures longevity and ability to meet and exceed the demands associated with tough mining conditions.

A "Change of Management" is not required due to the same interface and space claim. This is inline with the OEM requirements. The interface of these pre-filters are designed to require no fabrication during installation and even occupy the same space claim as the OEM fitted pre-filters.

Scavenge

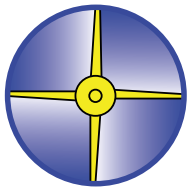
Passive scavenge by means of serviceable dustbowl

Benefits

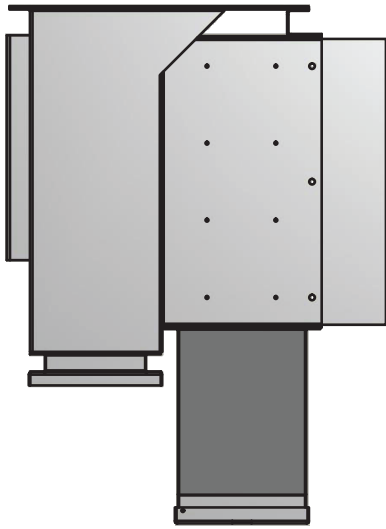
- Vastly extends media filter life, which enables extended service intervals.
- Reduce labour costs.
- Reduce cost of ownership of equipment.
- Reduce possible engine failures due to possible incorrect fitment of media filters.
- Could reduce silica contaminants in oil, if filtration management is kept at a high level.
- No moving parts

PRODUCT SPECIFICATIONS

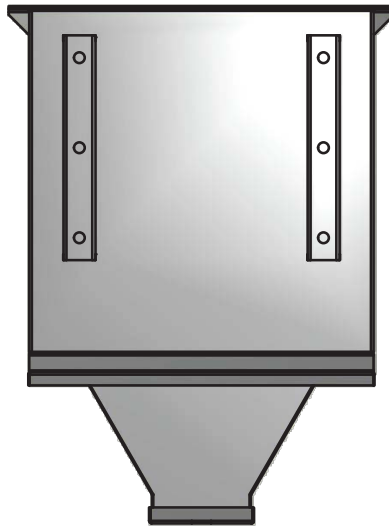
Product Code:	Dimensions:	Flow Range:	Restriction:	Weight:
CFT-HD-207-25-29	1150 x 612 x 880mm	30 - 100m ³ /min	0.35 - 1 kPa	73kg
CFT-HD-138-25-29	1150 x 531 x 755mm	25 - 66m ³ /min	0.35 - 1 kPa	69kg
CFT-HD-100-25-20	600 x 586 x 802mm	13 - 50m ³ /min	0.35 - 1 kPa	43kg



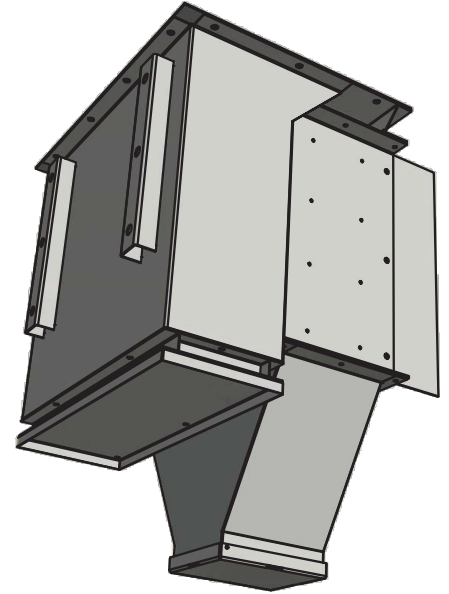
DRAWING



SIDE



FRONT



CFT 25 Vortex Tube Performance Curve 0% Scavenge

