



Pall Corporation

UR319

UR319 Series Filters ULTIPLEAT® SRT RETURN LINE FILTERS Port Size 1½", 2" and 2½"



Features

- Patented Ultipleat (laid-over pleat) filter medium pack
- Coreless, cageless element configuration
- Pall Stress-Resistant Technology (SRT) Media
- In-to-out filter element flow path
- Flows to 760 L/min (200 US gpm)
- Pressures to 41 barg (600 psid)
- Port size 1½", 2" and 2½"

Notes and Specifications

Filter Housing

- **Maximum Working Pressure:**
41 barg (600 psid)
- **Rated Fatigue Pressure:**
41 barg (600 psid)
10⁶ cycles per NFPA T2.06.01R2-2001
- **Typical Burst Pressure:**
145 barg (2100 psid)
- **Fluid Compatibility:**
Compatible with all petroleum oils, water glycols, water-oil emulsions and most synthetic hydraulic and lubrication fluids
- **Temperature Range:**
Fluorocarbon Seals:
-29 °C to 120 °C (-20 °F to 250 °F)
60 °C (140 °F) maximum in HWCF or water glycol fluids
- **Materials of Construction:**
Tube: Carbon steel
Head and Cover: Ductile Cast Iron

Filter Element

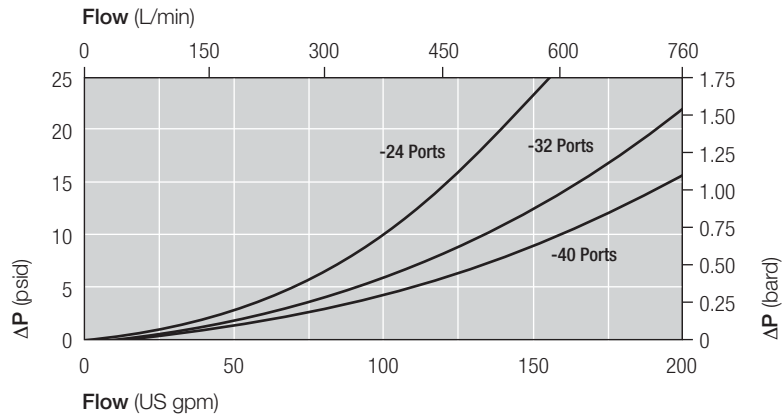
- **Filter Element Burst Pressure:**
10 barg (150 psid)
- **Ultipleat SRT Element Construction:**
Inorganic fibers impregnated and bonded with epoxy resins. Polymer endcaps. Anti-static media design

The equipment has been assessed in accordance with the guidelines laid down in The European Pressure Directive 97/23/EC and has been classified within Sound Engineering Practice S.E.P. Suitable for use with Group 2 fluids only. Consult Sales for other fluid gas group suitability.

Pressure Drop Information

Housing pressure drop using fluid with 0.9 S.G.

Housing pressure drop is directly proportional to specific gravity.



Element Pressure Drop

Multiply actual flow rate times factor in table below to determine pressure drop with fluid at 32 cSt (150 SUS), 0.9 S.G. Correct for other fluids by multiplying new viscosity in cSt/32 (SUS/150) x new S.G./0.9. Note: factors are per 1000 L/min and per 1 US gpm.

319 Series Filter Elements — barg/1000 L/min (psid/US gpm)

Length Code	AZ	AP	AN	AS	AT
08	5.52 (0.302)	2.30 (0.126)	1.82 (0.100)	1.32 (0.072)	0.82 (0.045)
13	3.31 (0.182)	1.38 (0.076)	1.09 (0.060)	0.79 (0.043)	0.49 (0.027)
20	2.18 (0.120)	0.91 (0.050)	0.72 (0.040)	0.52 (0.029)	0.33 (0.018)
40	1.10 (0.060)	0.46 (0.025)	0.36 (0.020)	0.26 (0.014)	0.16 (0.009)

Sample ΔP calculation

UR319 Series 20" length housing with F24 (1½" SAE) split flange ports using AN grade media. Operating conditions 300 L/min flow rate using a hydraulic fluid of 50 cSt and specific gravity (s.g.) 1.2.

Total Filter ΔP

$$\begin{aligned}
 &= \Delta P_{\text{housing}} + \Delta P_{\text{element}} \\
 &= (0.48 \times 1.2/0.9) \text{ barg (housing)} \\
 &+ ((300 \times 0.72/1000) \times 50/32 \times 1.2/0.9) \text{ barg (element)} \\
 &= 0.64 \text{ barg (housing)} + 0.45 \text{ barg (element)} \\
 &= \mathbf{1.09 \text{ barg (15.8 psid)}}
 \end{aligned}$$

UR319 Series Filters

Ordering Information

For new installations, select one complete part number from each section below

Section 1

Housing P/N:

Note: Pall Ultipleat SRT filter housings are supplied without filter elements or warning devices fitted. Never operate the filter unless a filter element is fitted and all warning device ports are sealed.

Seal Kit P/N:

Table 1: Housing Orientation Options

Code	Port
C	Cap service (tube up)
H	Head service (tube down)

Table 2: Housing Port Options

Code	Port
A24	1½" SAE J514 straight thread
A32	2" SAE J514 straight thread
C24	1½" BSP ISO 228 threads
C32	2" BSP ISO 228 threads
D24	1½" Flange J518C code 61 with ½"-13 UNC holding bolts
D32	2" Flange J518C code 61 with ½"-13 UNC holding bolts
D40	2½" Flange J518C code 61 with ½"-13 UNC holding bolts
F24	1½" ISO 6162 split flange with M12 x 1.75 holding bolts
F32	2" ISO 6162 split flange with M12 x 1.75 holding bolts
F40	2½" ISO 6162 split flange with M12 x 1.75 holding bolts

Section 2

Element P/N:

Table 1: Filter Element Options

Code	$\beta_{x(c)} \geq 1000$ based on ISO 16889	CST Rating*
AZ	3	08/04/01
AP	5	12/07/02
AN	7	15/11/04
AS	12	16/13/04
AT	22	17/15/08

* CST: Cyclic Stabilization Test to determine filter rating under stress conditions, based on SAE ARP4205

Section 3 (At least one Differential Pressure Indicator or 'B' type blanking plug must be ordered)

Differential Pressure Indicator P/N:

Table 1: Differential Pressure Indicator Options*

Code	Indicator	'H' Dim.
778NZ	'P' type Visual indicator with thermal lockout	21mm (0.83in)
860MZ	'D' type Visual indicator with no thermal lockout	21mm (0.83in)
861CZ	'L' type Electrical switch (SPDT) with 6" leads	38mm (1.50in)
861CZ	'M' type Electrical switch (SPDT) with DIN43650 connector and matching cap	78mm (3.07in)
861CZ	'R' type Electrical switch (SPDT) and neon light indicator with DIN43650 connector and cap	89mm (3.50in)
771BZ	'S' type Electrical switch (SPDT) with 3-pin MS connector	57mm (2.24in)

* Other options available on application.

UR 319 ++ Z 1 YR85
 Table 1 Table 2 Table 3 Table 4

Note: Z indicates fluorocarbon seals are standard. Other options are available; contact Pall. The suffix '1' at the end of the Housing P/N designates 1 indicator port fitted with a plug.

UR 319 SKZ

*Other seal material options are available; Contact Pall.

Table 3: Housing Length Options

Code	Length (in)*
08	8
13	13
20	20
40	40

* Nominal length

Table 4: Housing Bypass Valve Options

Code	Valve
A	1.7 bard - 25 psid Use 084 code indicator only
C	4.5 bard - 65 psid bypass valve with reseve flow Use 091 code indicator only
G	4.5 bard - 65 psid Use 091 code indicator only
N	Non-Bypass Use 091 code indicator only

UE 319 Z
 Table 1 Table 2

Note: Z indicates fluorocarbon seals are standard. Other options are available; contact Pall.

Table 2: Filter Element Length Options

Code	Length (in)*
08	8
13	13
20	20
40	40

* Nominal length

RC Z
 Table 1 Table 2 Table 3 Table 4

Note: If no differential pressure indicator is selected, 'B' type blanking plug (P/N HC9000A104Z) must be ordered separately and fitted to replace the plastic shipping plug.

Note: Z indicates fluorocarbon seals are standard. Other options are available; contact Pall.

Table 2: Indicator Pressure Setting Option*

Code	Valve
084	For 'A' Valve Option - Housings (1.1 bard - 16 psid)
091	For 'C', 'G' and 'N' Valve Options - Housings (3.5 bard - 50 psid)

* Other setting options are available; contact Pall.

Table 3: 'M' & 'R'-Type Indicator Codes*

Code	Option
YM	'M' option
YR	'R' option

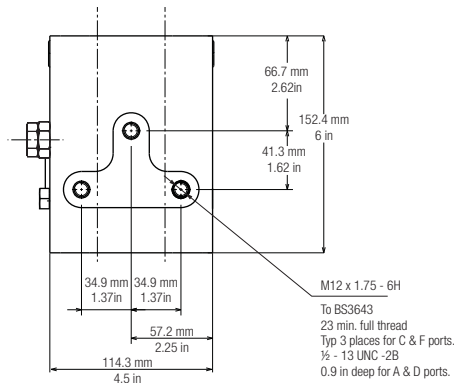
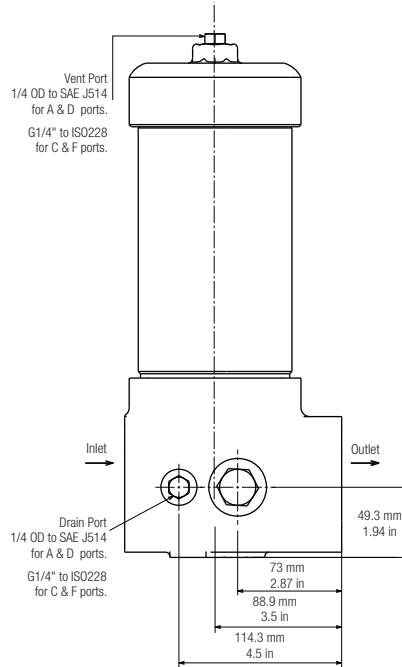
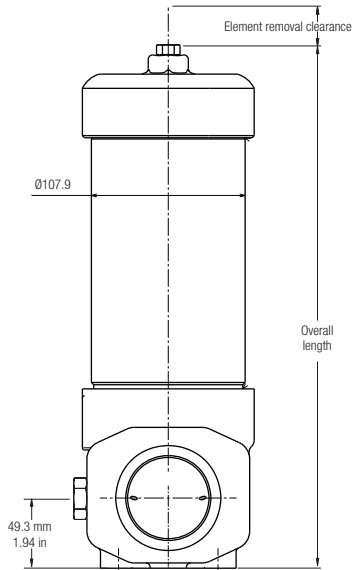
* Use only if 'R' or 'M' Indicator is selected from Table 1

Table 4: 'R' Indicator Options

Code	Option
110AC	110V AC
220AC	220V AC
24DC	24V DC

* Use only if 'R' Indicator is selected from Table 1

('C' option housing shown)



'C' and 'H' Housings with 'G' option valve

Length Code	'C' Option Overall Length mm (in)	'H' Option Overall Length mm (in)	'C' and 'H' Option Element Removal Clearance mm (in)	Empty Weight kg (lb)
08	424 (16.69)	437 (17.22)	230 (9)	18 (40)
13	559 (21.99)	572 (22.52)	370 (14.5)	21 (46)
20	729 (28.69)	742 (29.22)	530 (21)	23 (51)
40	1237 (48.69)	1250 (49.22)	1040 (41)	30 (66)

'C' and 'H' Housings with 'C' option valve

Length Code	'C' Option Overall Length mm (in)	'H' Option Overall Length mm (in)	'C' and 'H' Option Element Removal Clearance mm (in)	Empty Weight kg (lb)
08	511 (20.13)	525 (20.66)	230 (9)	20 (45)
13	646 (25.43)	659 (25.96)	370 (14.5)	23 (51)
20	816 (32.13)	829 (32.66)	530 (21)	25 (56)
40	1324 (52.13)	1337 (52.66)	1040 (41)	32 (71)



Pall Corporation

Pall Industrial Manufacturing

25 Harbor Park Drive
Port Washington, NY 11050
+1 516 484 3600 telephone
+1 888 333 7255 toll free US

Portsmouth-UK
+44 (0)23 9230 3303 telephone
+44 (0)23 9230 2507 fax

Visit us on the Web at www.pall.com

Pall Corporation has offices and plants throughout the world. For Pall representatives in your area, please go to www.pall.com/contact

Because of technological developments related to the products, systems, and/or services described herein, the data and procedures are subject to change without notice. Please consult your Pall representative or visit www.pall.com to verify that this information remains valid. Products in this document may be covered by one or more of the following patent numbers: EP 667,800; EP 982,061; EP 1,380,331; EP 1 656 193; US 5,543,047; US 5,690,765; US 5,725,784; US 6,113,784; US 7,083,564; US 7,318,800.

© Copyright 2009, Pall Corporation. Pall, PALL and Ultipleat are trademarks of Pall Corporation. ® Indicates a trademark registered in the USA. Filtration. Separation. Solution.sm is a service mark of Pall Corporation.